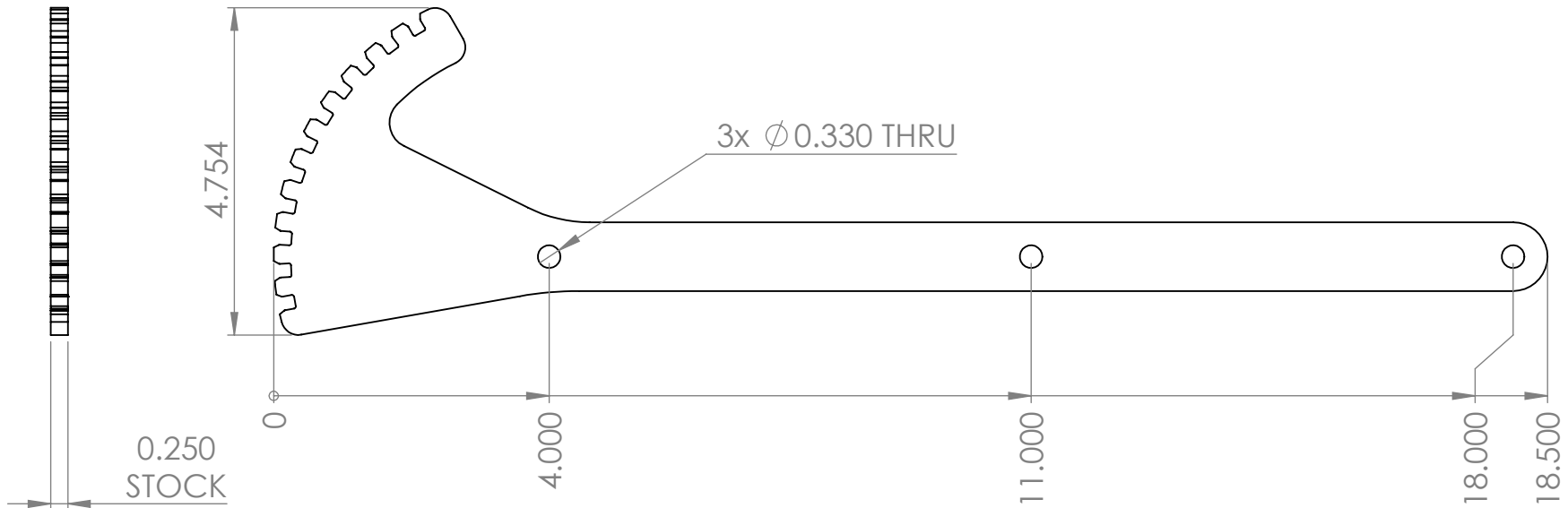


Part Number:  
TW AOA Link



**PROPRIETARY AND CONFIDENTIAL**  
THE INFORMATION CONTAINED IN THIS DRAWING IS THE SOLE PROPERTY OF TH FABRICATION, LLC. ANY REPRODUCTION IN PART OR AS A WHOLE WITHOUT THE WRITTEN PERMISSION OF TH FABRICATION, LLC IS PROHIBITED.

REVISION NOTES

REV	REVISION DESCRIPTION	DATE	AUTHOR
1			
2			
3			
4			

CLIENT:	NAME	DATE
UNLESS OTHERWISE SPECIFIED:	DRAWN	
DIMENSIONS ARE IN INCHES	CHECKED	
TOLERANCES:	ENG APPR.	
FRACTIONAL $\pm 1/16"$	<b>MATERIAL NOTES</b>	
ANGULAR: MACH $\pm .25$ BEND $\pm 1$		
TWO PLACE DECIMAL $\pm .062"$		
THREE PLACE DECIMAL $\pm .031"$		
MATERIAL SPECS	<b>1/4" STEEL SHEET</b>	
Plain Carbon Steel		
FINISH		
Powdercoat		
DO NOT SCALE DRAWING		

**TH Fabrication, LLC**  
[www.th-fabrication.com](http://www.th-fabrication.com)

Part Number:

**TW AOA Link**

SIZE	Description:	REV
<b>A</b>		
SCALE: 2:5	WEIGHT:	SHEET 1 OF 1