

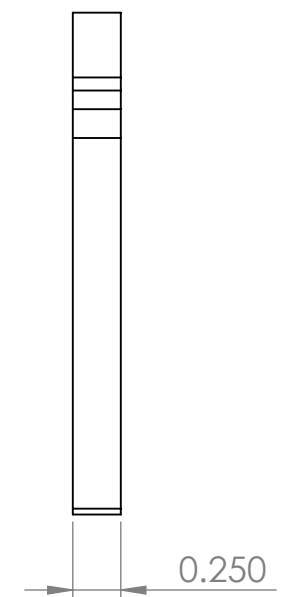
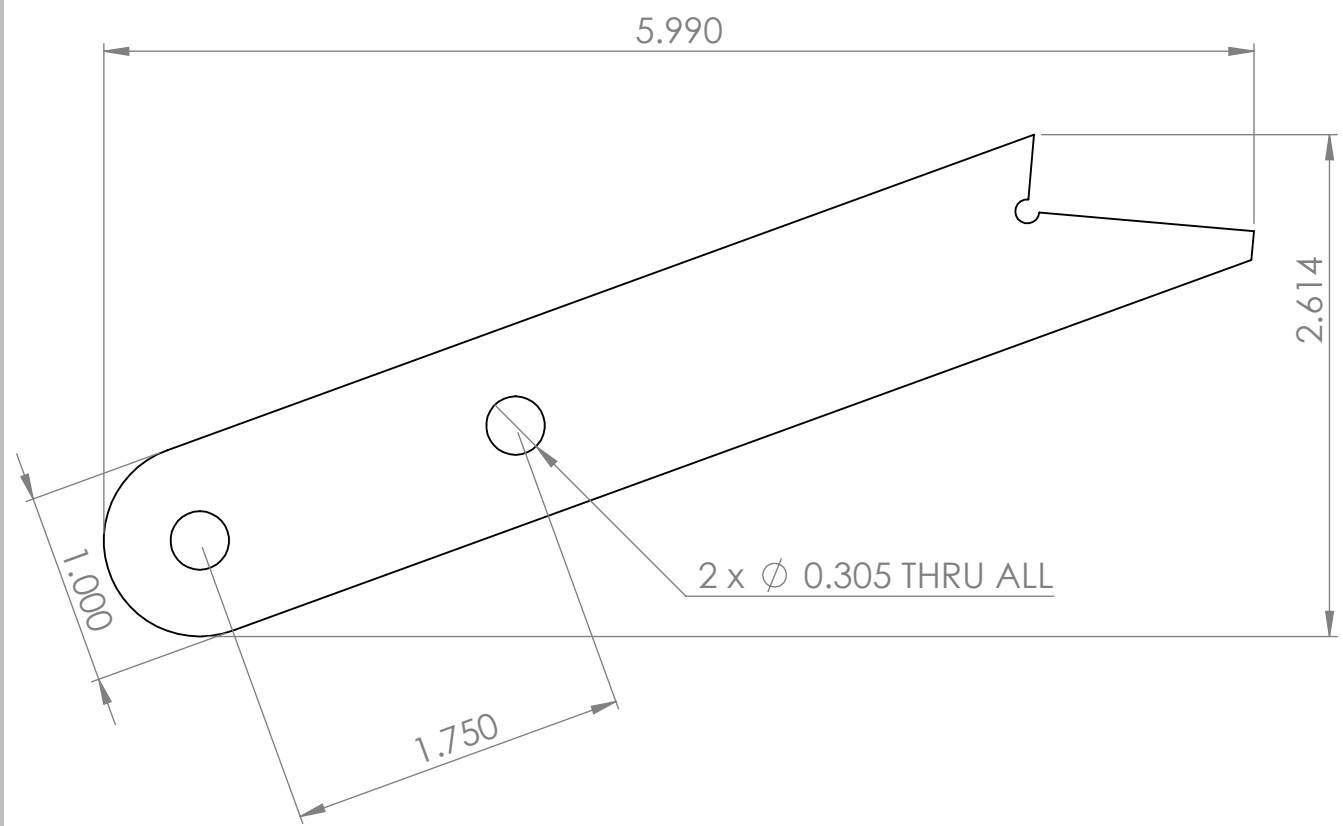
2

1

Part Number:
TW AOA Handle

B

B



A

A



PROPRIETARY AND CONFIDENTIAL
 THE INFORMATION CONTAINED IN THIS DRAWING IS THE SOLE PROPERTY OF TH FABRICATION, LLC. ANY REPRODUCTION IN PART OR AS A WHOLE WITHOUT THE WRITTEN PERMISSION OF TH FABRICATION, LLC IS PROHIBITED.

CLIENT:	NAME	DATE

UNLESS OTHERWISE SPECIFIED:	DRAWN
DIMENSIONS ARE IN INCHES	CHECKED
TOLERANCES:	ENG APPR.
FRACTIONAL ± 1/16"	
ANGULAR: MACH ± .25 BEND ± 1	
TWO PLACE DECIMAL ± .062"	
THREE PLACE DECIMAL ± .031"	

TH Fabrication, LLC
www.th-fabrication.com

REVISION NOTES

REV	REVISION DESCRIPTION	DATE	AUTHOR
1			
2			
3			
4			

MATERIAL NOTES
 1/4" STEEL PLATE

MATERIAL SPECS
 Plain Carbon Steel

FINISH

DO NOT SCALE DRAWING

Part Number:
TW AOA Handle

SIZE	Description:	REV
A		
SCALE: 1:1	WEIGHT:	SHEET 1 OF 1

2

1