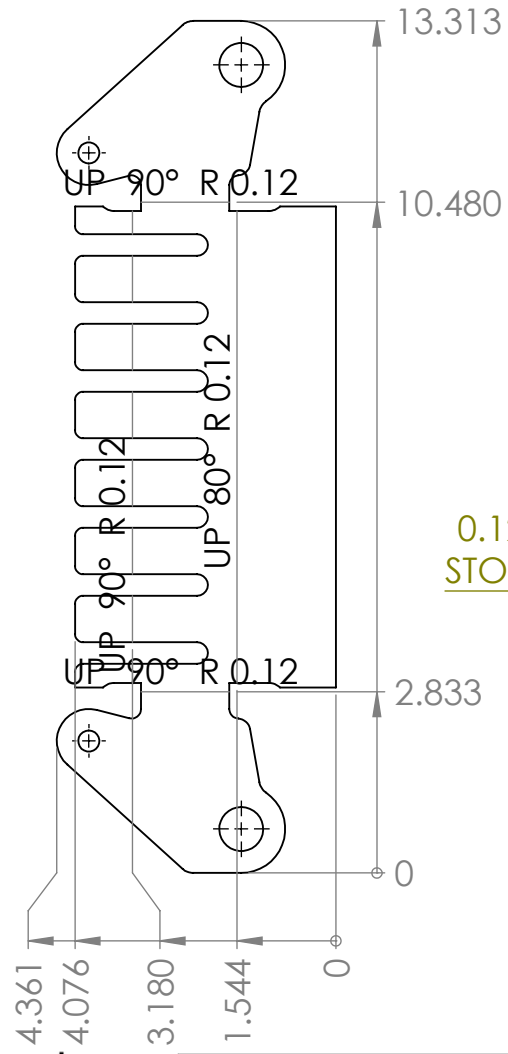
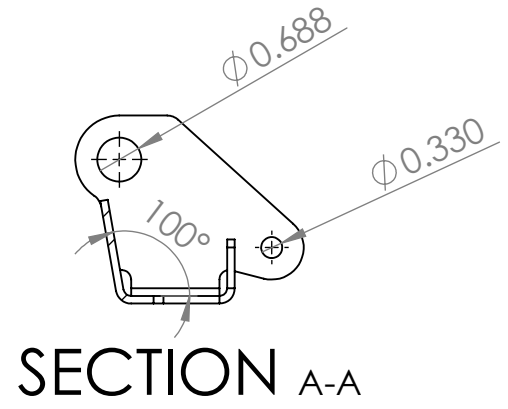
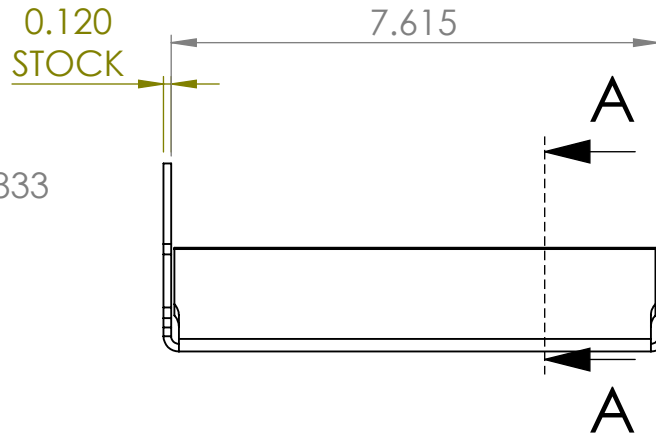
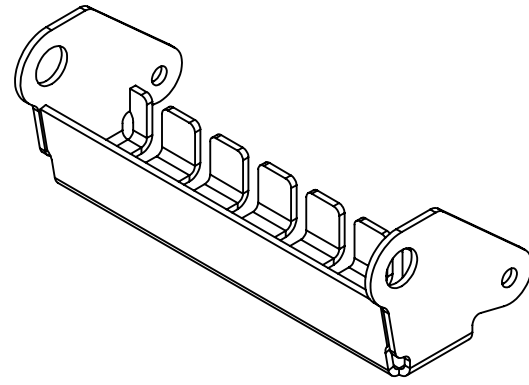


Part Number:
TW Tine Cradle



PROPRIETARY AND CONFIDENTIAL
THE INFORMATION CONTAINED IN THIS DRAWING IS THE SOLE PROPERTY OF TH FABRICATION, LLC. ANY REPRODUCTION IN PART OR AS A WHOLE WITHOUT THE WRITTEN PERMISSION OF TH FABRICATION, LLC IS PROHIBITED.

REVISION NOTES

REV	REVISION DESCRIPTION	DATE	AUTHOR
1			
2			
3			
4			

CLIENT:
UNLESS OTHERWISE SPECIFIED:
DRAWN TJH
CHECKED
ENG APPR.
DIMENSIONS ARE IN INCHES
TOLERANCES:
FRACTIONAL $\pm 1/16"$
ANGULAR: MACH $\pm .25$ BEND ± 1
TWO PLACE DECIMAL $\pm .062"$
THREE PLACE DECIMAL $\pm .031"$
MATERIAL SPECS
Plain Carbon Steel
FINISH
DO NOT SCALE DRAWING

NAME TJH
DATE 11/26/2021
MATERIAL NOTES
11GA Sheet

TH Fabrication, LLC
www.th-fabrication.com
Part Number:
TW Tine Cradle
SIZE Description: REV
A Tine Holder
SCALE: 1:3 WEIGHT: 1.30 SHEET 1 OF 1