

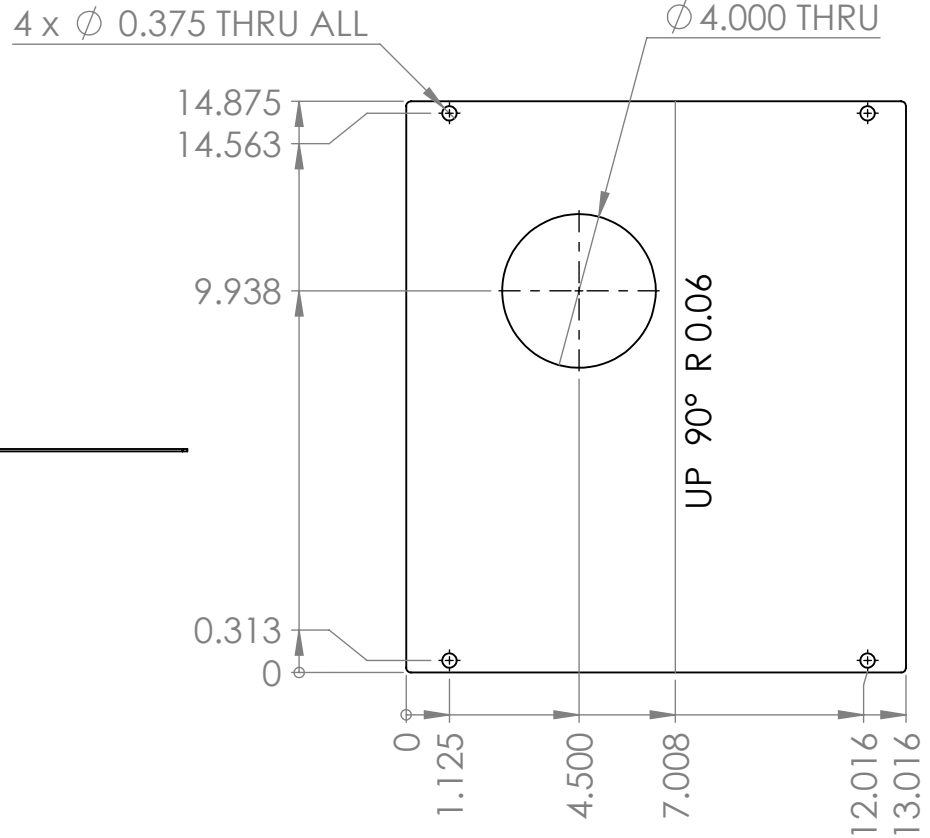
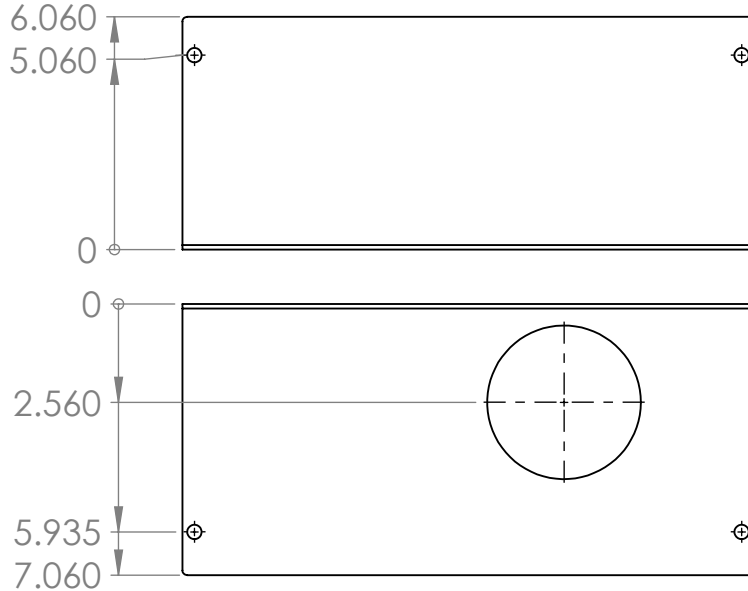
2

1

Part Number:  
AirSys\_PowerUnit\_Encl  
osurePanel

B

B



A

A



**PROPRIETARY AND CONFIDENTIAL**  
 THE INFORMATION CONTAINED IN THIS DRAWING IS THE  
 SOLE PROPERTY OF TH FABRICATION, LLC. ANY  
 REPRODUCTION IN PART OR AS A WHOLE WITHOUT THE  
 WRITTEN PERMISSION OF TH FABRICATION, LLC IS  
 PROHIBITED.

REVISION NOTES

REV	REVISION DESCRIPTION	DATE	AUTHOR
1			
2			
3			
4			

CLIENT:	NAME	DATE
UNLESS OTHERWISE SPECIFIED:	DRAWN	
DIMENSIONS ARE IN INCHES	CHECKED	
TOLERANCES:	ENG APPR.	
FRACTIONAL ± 1/16"	<b>MATERIAL NOTES</b>	
ANGULAR: MACH ± .25 BEND ± 1		
TWO PLACE DECIMAL ± .062"		
THREE PLACE DECIMAL ± .031"	<b>16 GAUGE SHEET</b>	
MATERIAL SPECS		
<b>STEEL</b>		
FINISH		
DO NOT SCALE DRAWING		

**TH Fabrication, LLC**  
[www.th-fabrication.com](http://www.th-fabrication.com)  
 Part Number:  
**AirSys\_PowerUnit\_Encl  
 osurePanel**

SIZE	Description:	REV
<b>A</b>		

SHEET 1 OF 1

2

1