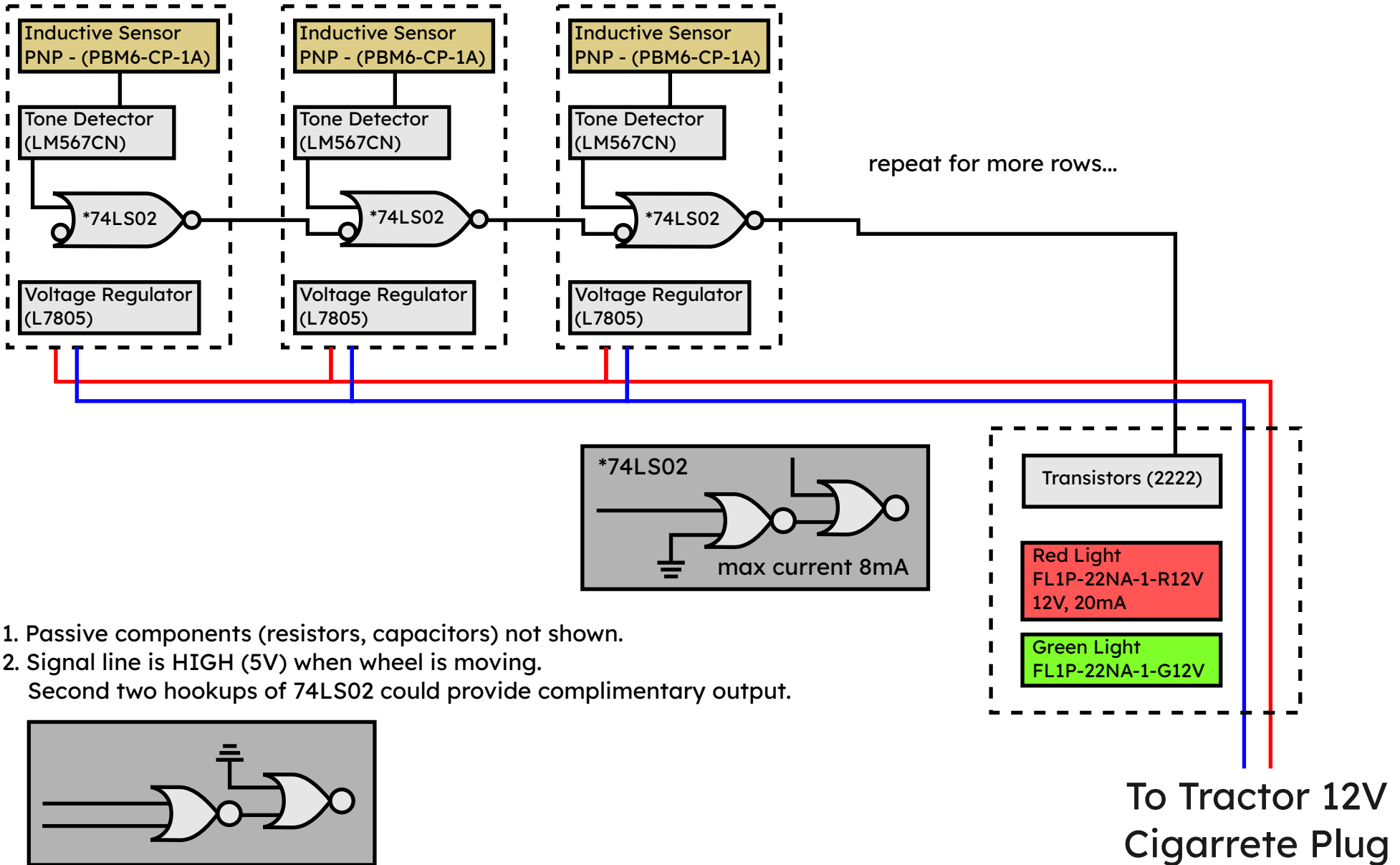
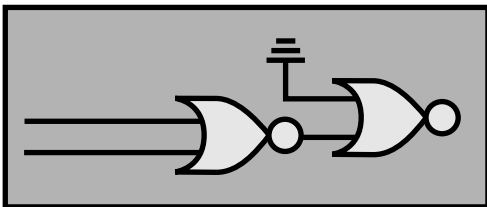


Rotary Hoe Pro Wheel Sensor System

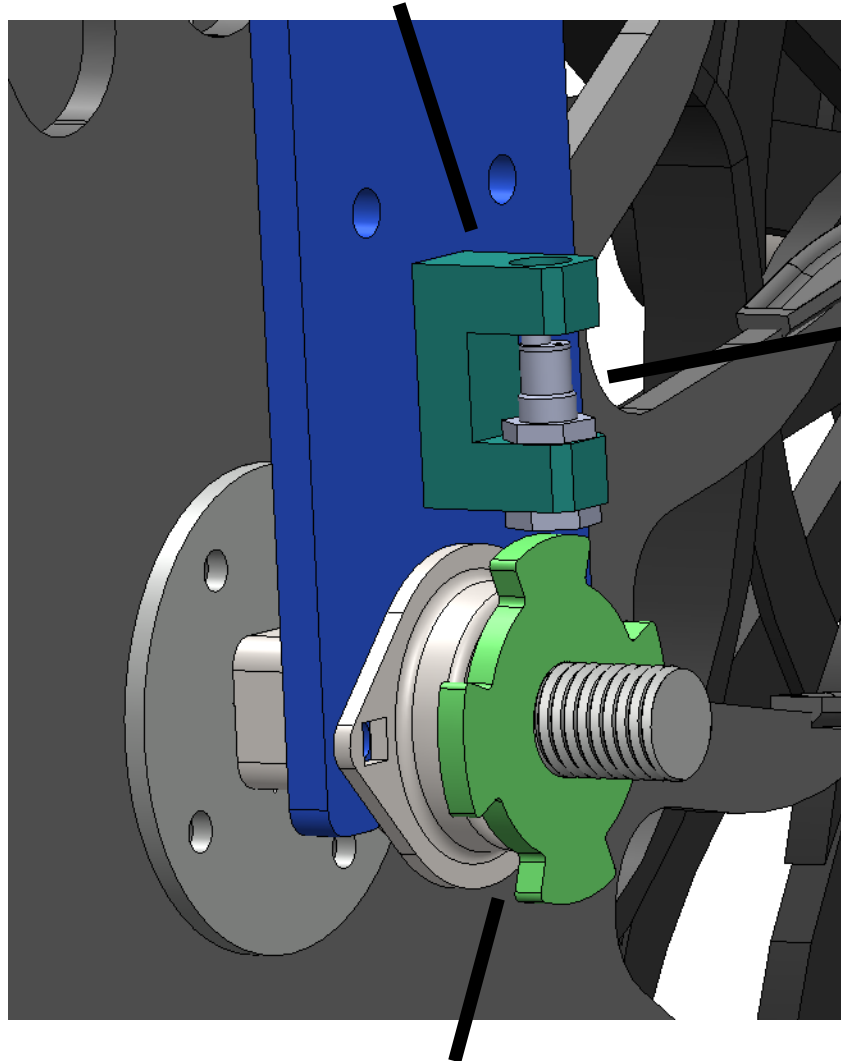


1. Passive components (resistors, capacitors) not shown.
2. Signal line is HIGH (5V) when wheel is moving.
Second two hookups of 74LS02 could provide complimentary output.



Mechanical Concept A

Aluminum Mounting Bracket
(Machined, fastened from inside with 5/16" bolts)

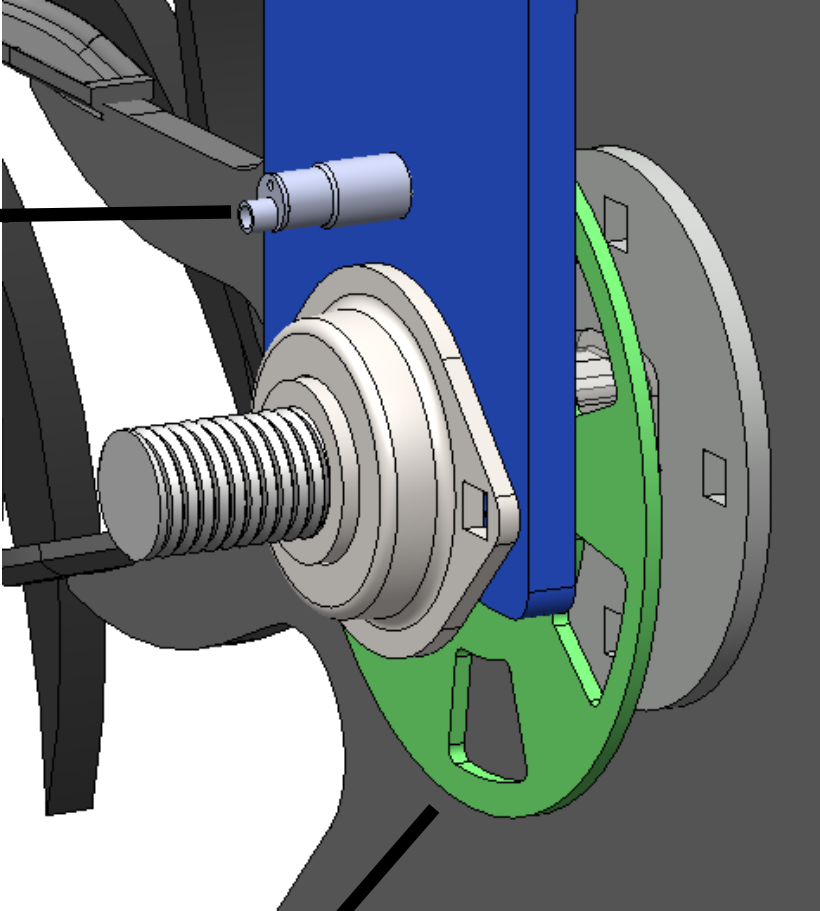


Inductive Proximity Sensor

1/4" Steel Disc

Mechanical Concept B

Inductive Proximity Sensor
Hoe bracket drilled and tapped to M12
(Pigtail not shown)



1/8" steel disc

2222 Transistor Logic for Red/Green Lights

